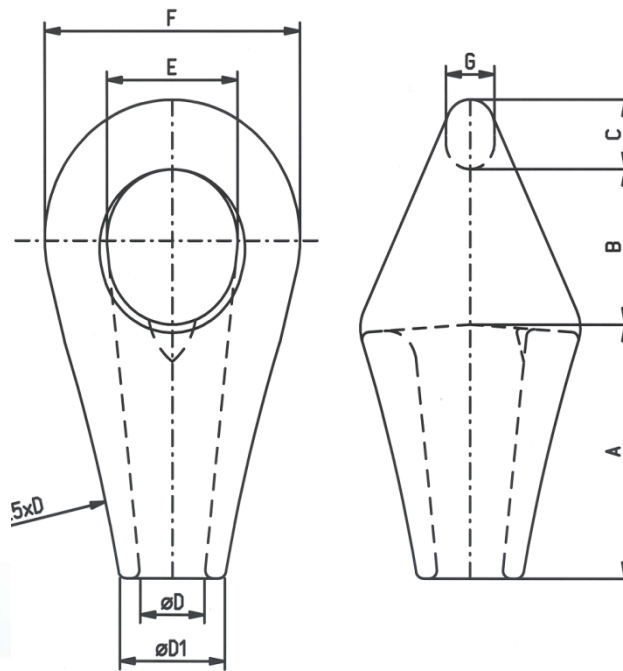


# CR-SOCKETS

CR-sockets are the best possible connection between a chain- and a rope anchoring system. These sockets include our non-rotating stopper (NRS-system) to prevent the tamp from turning or slipping out of the cone. Of course a high performance connection is guaranteed.



Nr.	MBL tons	Rope dia.		A	B	C	D	D1	E	F	G	Weight kg
		mm	inch									
512	140	31-36	1 1/4 - 1 3/8	140	85	38	39	65	75	124	35	± 6
517	160	37-42	1 1/2 - 1 5/8	160	110	42	44	70	92	130	38	± 8
519	200	43-48	1 3/4 - 1 7/8	188	128	50	51	80	110	180	45	± 17
522	250	49-54	2 - 2 1/8	215	125	55	57	80	115	200	50	± 24
524	300	55-60	2 1/4 - 2 3/8	230	145	65	63	90	135	230	57	± 34
526	400	61-68	2 1/2 - 2 5/8	250	160	75	73	113	160	265	65	± 50
527	500	69-75	2 3/4 - 2 7/8	280	175	80	79	119	170	278	70	± 61
528	600	76-80	3 - 3 1/8	315	210	85	86	126	184	300	75	± 74
529	700	81-86	3 1/4 - 3 3/8	340	205	100	92	132	204	320	90	± 89
530	800	87-93	3 1/2 - 3 5/8	360	220	105	99	140	215	340	95	± 105
531	900	94-102	3 3/4 - 4	380	240	110	108	150	234	376	100	± 135
533	1000	108-115	4 1/4 - 4 1/2	450	260	125	120	165	252	400	110	± 180
540	1250	122-130	4 3/4 - 5	517	293	140	140	200	275	460	125	± 310