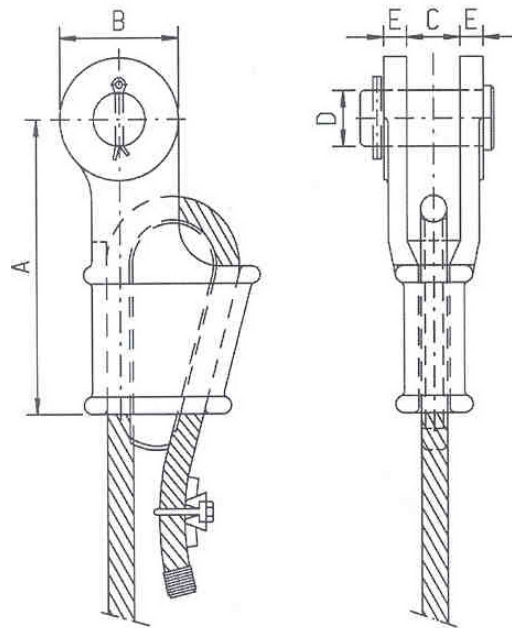


OPEN WEDGE SOCKET



Nr.	MBL tons	Rope dia.		A	B	C	D	E	Weight kg
		mm	inch						
0.5	10	9-10	3/8	145	47	20.5	20.6	11	1.6
1	16	11-13	1/2	146	57	25	25	12	2.1
2	25	14-16	5/8	176	70	31	30	15	3.7
3	32	17-19	3/4	212	80	38	35	16	5.8
4	45	20-22	7/8	240	96	44	41	19	9
5	70	23-26	1	274	114	51	51	22	14.8
6	100	27-29	1 1/8	310	130	57	57	25	22
7	125	30-33	1 1/4	350	146	63	64	28	28.3
8	125	34-36	1 3/8	400	148	69	64	28	38
9	150	37-40	1 1/2	450	160	76	70	30	51
10	200	41-43	1 5/8	500	174	76	76	33	60.7
11	260	44-48	1 3/4-1 7/8	550	200	89	89	39	94.5
12	280	49-53	2	650	200	101	95	46	120.6
13	360	56	2 1/4	660	250	114	108	54	172.3
14	450	63	2 1/2	840	270	127	121	60	271
15	520	75	3	1000	300	146	133	76	437